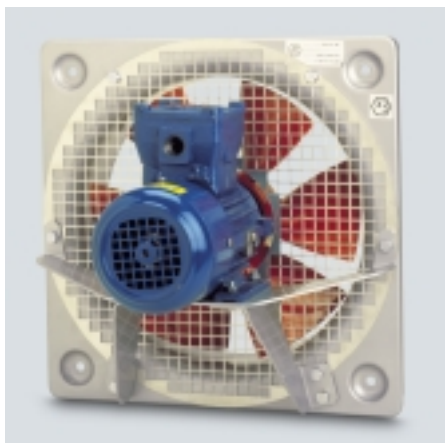




# PLATE MOUNTED AXIAL FLOW FANS

## HDB-HDT Series, Special Application Flameproof Fans



### Description

The HDB-HDT range of flameproof plate mounted axial fans comprises of five (5) nominal fan diameters of 315, 355, 400, 450 and 560 mm.

Explosion proof, Flame proof type, in accordance to ATEX Directive.

Single phase models:

⊕ II2G EExdIIBT4 or EExdIICT4

Three phase models:

⊕ II2G EExdIIBT5 or EExdIICT4

### Applications

Before installation, it is important to check that the product electrical characteristics listed on the data plate label (voltage, power, frequency etc), match those of the intended electrical supply.

### Construction

#### Mounting Plate and Motor Support

Manufactured from heavy gauge aluminium plate.

#### Impellers

Manufactured from one piece die-cast aluminium with aerofoil profile fixed blades. All impellers are finished in a high temperature paint coating (red colour).

#### Motors

Flameproof motors of type:

- EExdIIBT4 for standard single phase models.
- EExdIIBT5 for standard three phase models.
- EExdIICT4 available as option.
- Three Phase 230/400V 50Hz, available in 4, 6 and 8 poles.
- Single Phase 230V 50Hz, available in 4 and 6 poles.

- IP55 protection
- Class F insulation systems.

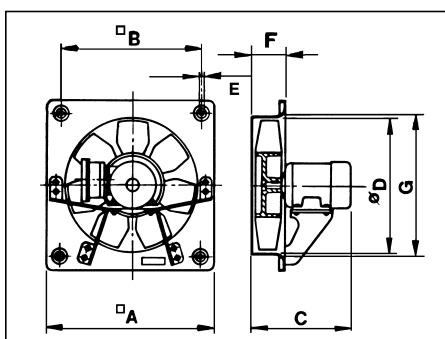
- All motors incorporate Sealed For Life ball bearings.

All motors are supplied with a wiring cable gland in accordance to the standards required for the type of motor used.

### Technical characteristics

Type	Speed (r.p.m.)	Motor power (kW)	Max. absorbed current (A)		Max. air volume (m <sup>3</sup> /h)	Sound pressure level (dB(A))	Weight (kg)
			230 V	400 V			
<b>SINGLE PHASE</b>							
HDB/4-315	1300	0,12	0,9	-	2240	56	11
HDB/4-355	1310	0,18	1,14	-	3120	60	12
HDB/6-355	920	0,12	1,02	-	2100	52	12
<b>THREE PHASE</b>							
HDT/4-315	1330	0,12	0,90	0,52	2240	56	9,5
HDT/4-355	1340	0,18	1,14	0,66	3120	60	11
HDT/6-355	950	0,12	1,02	0,59	2100	52	11
HDT/4-400	1370	0,37	1,90	1,10	4780	65	15
HDT/6-400	900	0,15	1,13	0,65	3140	56	15
HDT/4-450	1380	0,55	2,60	1,50	8000	66	20
HDT/6-450	900	0,25	1,73	1,00	5300	58	16
HDT/8-450	670	0,11	1,07	0,62	4100	52	16
HDT/4-560	1390	1,10	5,02	2,90	13700	73	29
HDT/6-560	920	0,75	3,11	1,80	9300	65	29
HDT/8-560	680	0,26	1,77	1,02	7250	59	20

### Dimensions (mm)



Type	∅ A	∅ B	C			∅ D	E	F	∅ G
			Number of poles						
			/4	/6	/8				
HDT/315	400	330	323	-	-	315	10	85	329
HDT/355	450	380	325	325	-	355	10	87	371
HDT/400	500	420	336	336	-	400	10	90	422
HDT/450	560	480	360	349	349	450	10	106	476
HDT/560	710	630	435	435	368	560	10	112	596

## ■ Performance curves

- Q = Air volume in, m<sup>3</sup>/hr and m<sup>3</sup>/s
- Pe = Static pressure in mmWG and Pa.
- Dry air at 20 °C and 760 mmHg.
- Air flow data in accordance with the following standards: UNE 100-212-89, BS 848, Part 1, AMCA 210-85 and ASHRAE 51-1985.

HDB-HDT

Plate mounted axial flow fans

